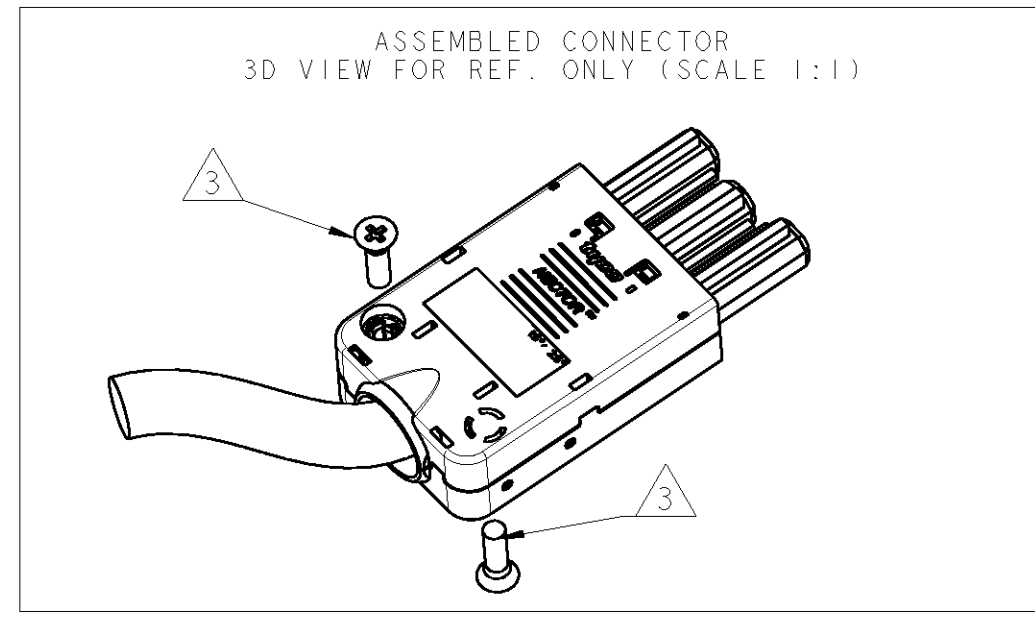
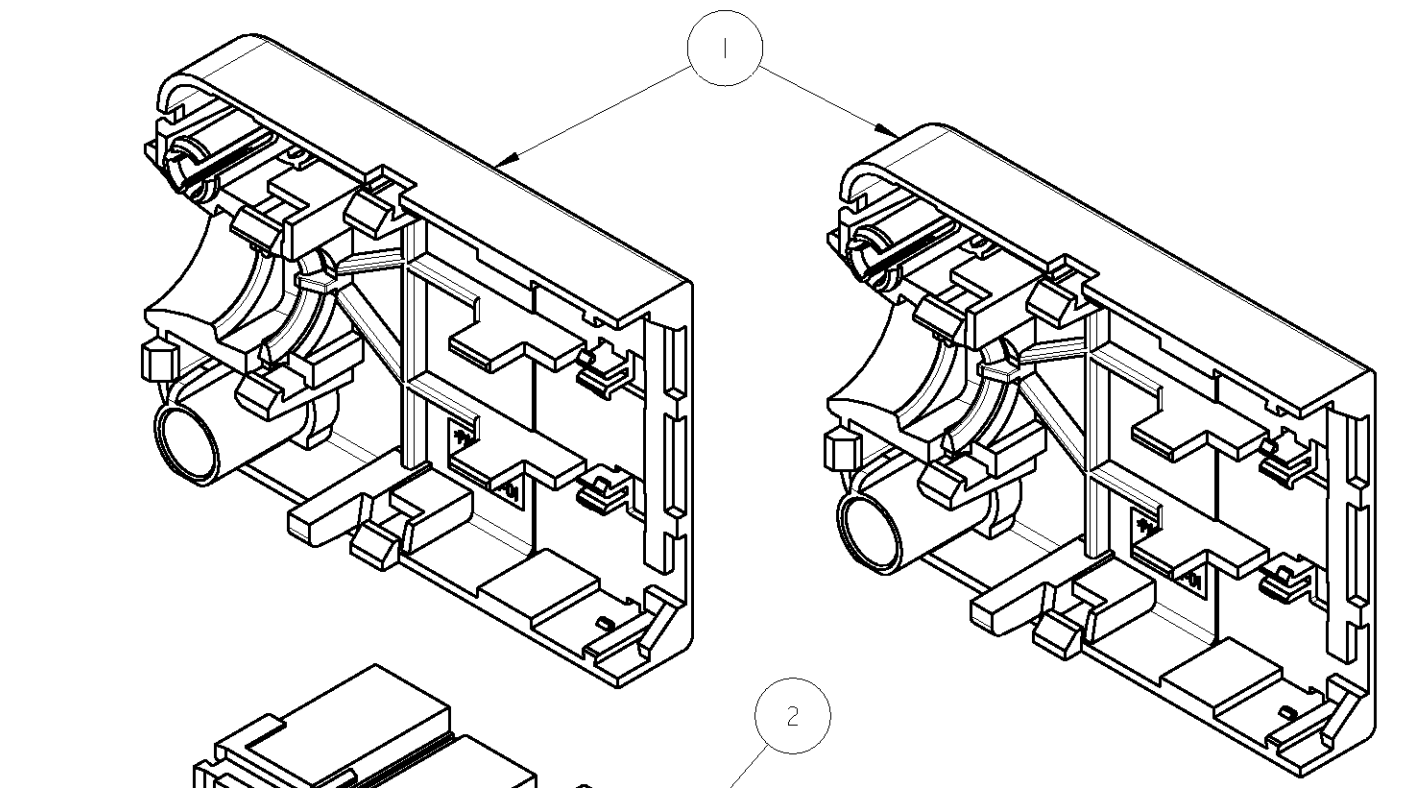
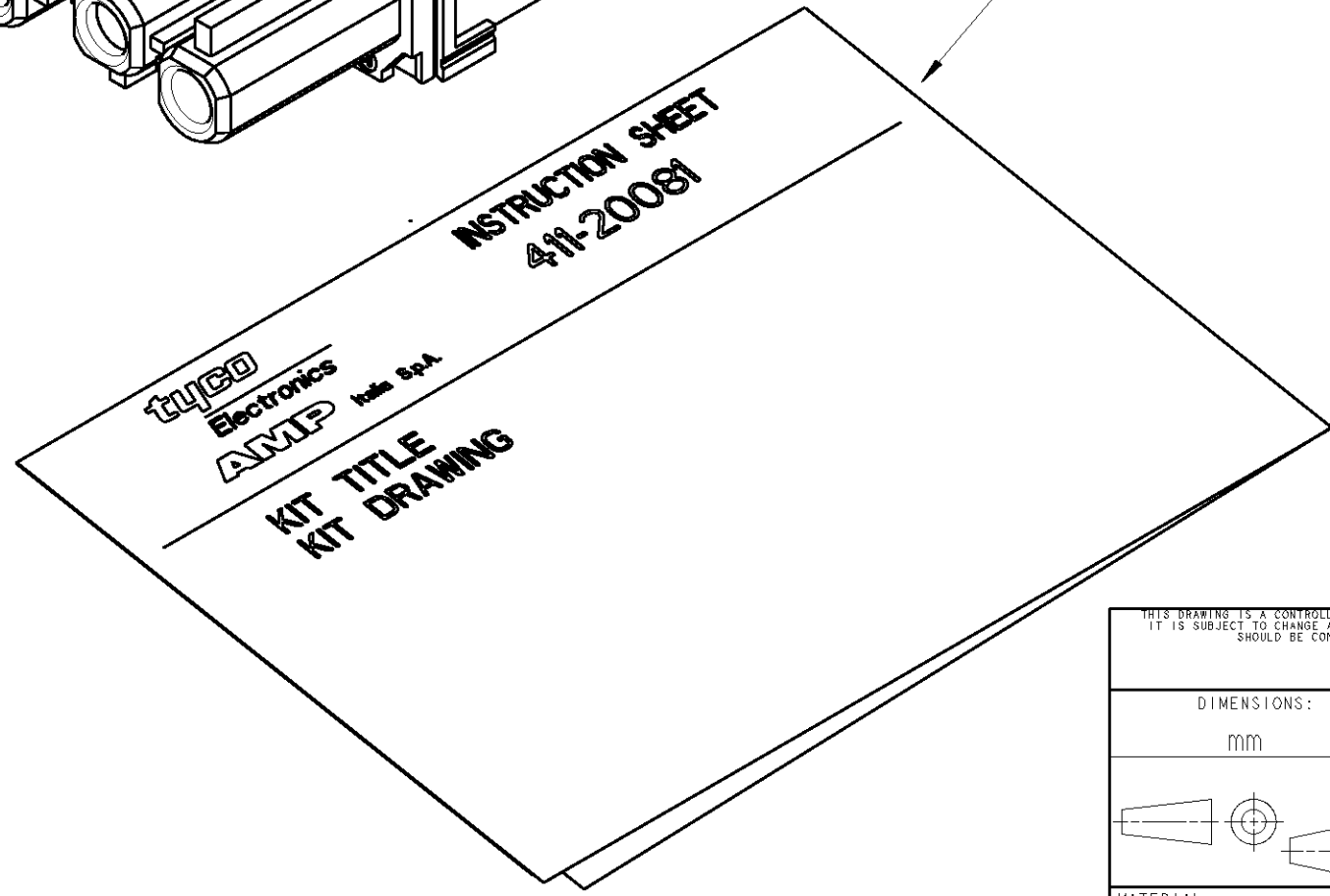


THIS DRAWING IS UNPUBLISHED. RELEASED FOR PUBLICATION 2006
 © COPYRIGHT 2006 BY TYCO ELECTRONICS CORPORATION. ALL RIGHTS RESERVED.

| LOC | DIST | REVISIONS | | | | | |
|-----|------|-----------|-----|-------------|-----------|-----|------|
| | | P | LTR | DESCRIPTION | DATE | DWN | APVD |
| - | | | 0 | FIRST ISSUE | 06FEB2006 | UA | GT |
| | | | | | | | |
| | | | | | | | |



- NOTES:**
- 1) PACKAGING ACCORDING TO TYCO SPECIFICATION 107-20255
 - 2) INSTRUCTION-SHEET 411-20081 SHOWS ASS'Y OPERATION FOR END USER
 - 3) OPTIONAL SCREWS M3 x 12 - NOT INCLUDED INTO THE KIT - (SCREWS ACCORDING TO: "UNI 9709" OR "UNI 9707" OR "UNI 10228" OR "UNI 10227")



| QTY | LOC | DESCRIPTION | ITEM |
|-----------|-----|--|------|
| 1 | 1 | 2 TYCO INSTRUCTION SHEET | 3 |
| 1 | - | TYCO NECTOR* 3 POS. RECPT. CONN. SPRING CLAMP TERM.(WHITE VERSION) | 2 |
| - | 1 | TYCO NECTOR* 3 POS. RECPT. CONN. SPRING CLAMP TERM.(BLACK VERSION) | 2 |
| 2 | - | TYCO NECTOR* HERMAPHRDITE HALF SHELL FOR 3 POS. CONN.S.(WHITE VERSION) | 1 |
| - | 2 | TYCO NECTOR* HERMAPHRDITE HALF SHELL FOR 3 POS. CONN.S.(BLACK VERSION) | 1 |
| -2 | -1 | DESCRIPTION | ITEM |
| 0 | 0 | REVISION OF EACH ASS'Y N. | |
| PART LIST | | | |

| | | | | | | | |
|-----------------------|--|---|--|--|--|--|--|
| DIMENSIONS: mm | | TOLERANCES UNLESS OTHERWISE SPECIFIED: 0 PLC ± 1 PLC ± 2 PLC ± 3 PLC ± 4 PLC ± ANGLES ± | | DWN U.A.I.M.E 06FEB2006 CHK U.A.I.M.E 06FEB2006 APVD G.TURCO 06FEB2006 PRODUCT SPEC - APPLICATION SPEC - WEIGHT - | | tyco Electronics AMP Italia S.p.A. C.so F.lli Cervi 15 Collegno (TO) | |
| MATERIAL - | | FINISH - | | NAME TYCO NECTOR* 3 POS. PLUG CONN. SPRING CLAMP TERM. KIT FOR HERMAPH. SHELL | | SIZE A3 CAGE CODE 00779 DRAWING NO C=293101 RESTRICTED TO - | |
| CUSTOMER DRAWING | | | | SCALE 2:1 | | SHEET 1 OF 1 REV 0 | |